

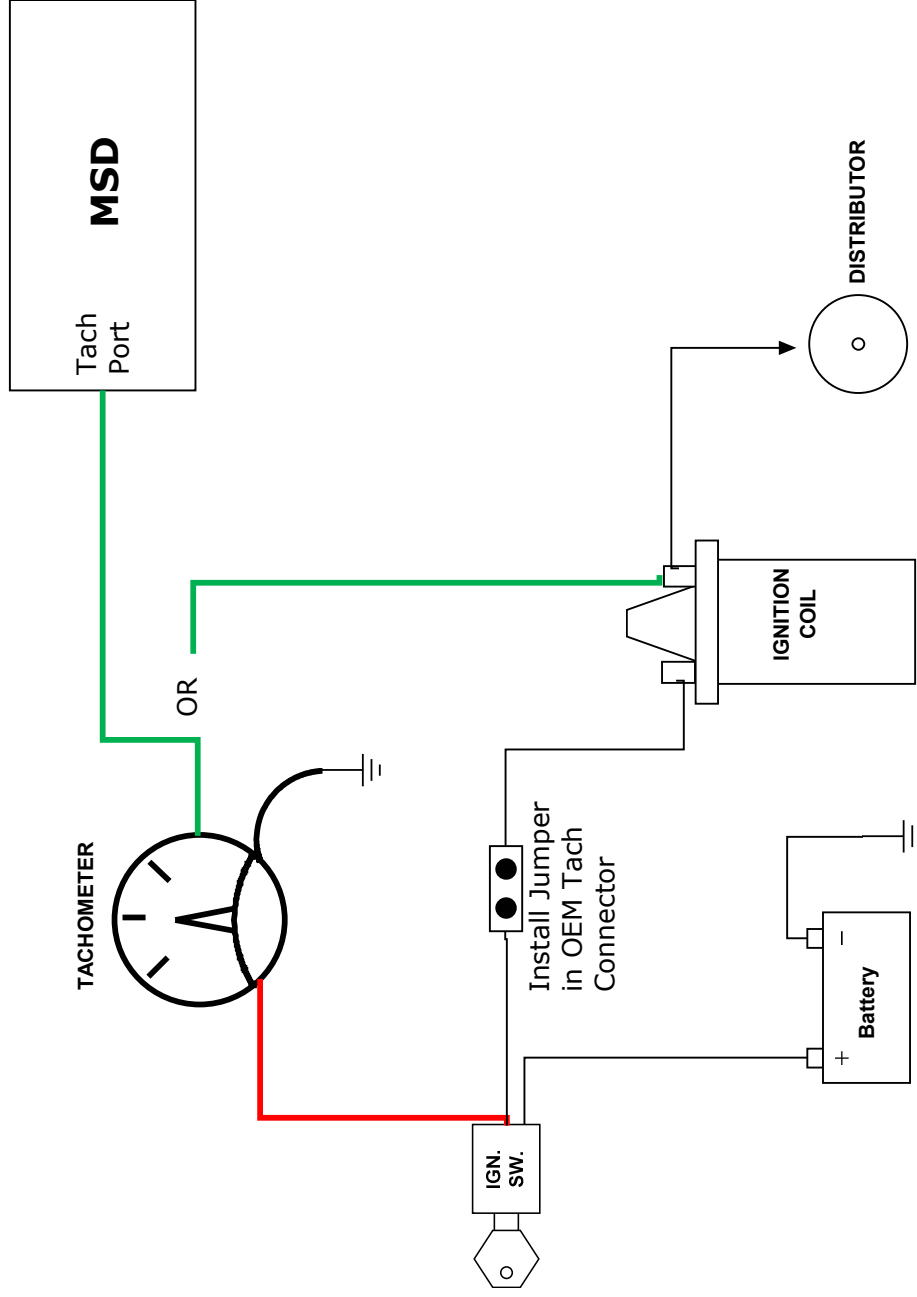
Red = 12V switched  
 Black = Ground  
 Green = Signal\*

\*Signal can come from  
 MSD tach port or distributor  
 (-) side of coil.

Notes:

1. Install jumper in factory  
 tachometer connector to  
 complete ignition (+) circuit  
 to distributor.

2. OEM tach wiring may be  
 used as 12V power source.



## WIRING DIAGRAM - with OEM tach

Rocketman Tachometer - G1X6&8, G2X6&8, G3X

DRAWN BY

RWM

CHECKED

DATE

2 Sept 08

SCALE

n/a

SHEET NO.

1 of 1